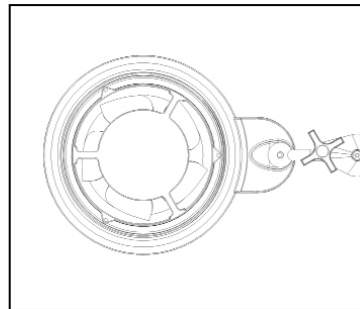
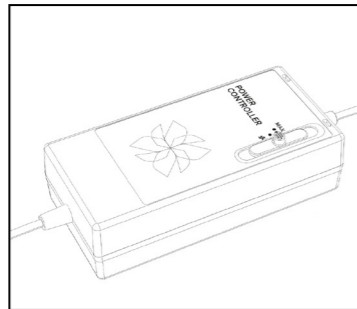


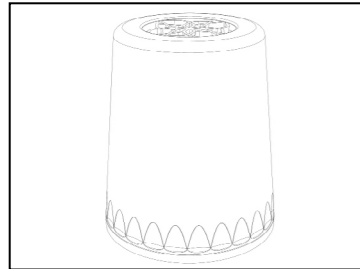
EQUIPMENT



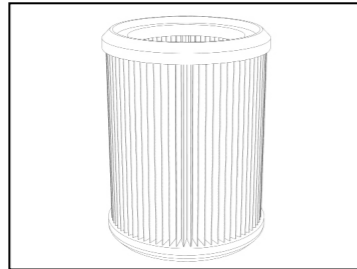
Main body with motor and pantograph



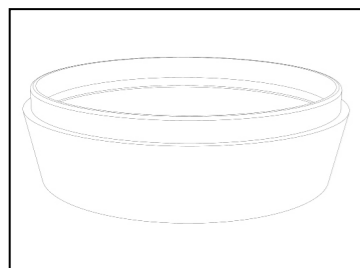
Power controller



Filter assembly (case)



Filter



Filter cap

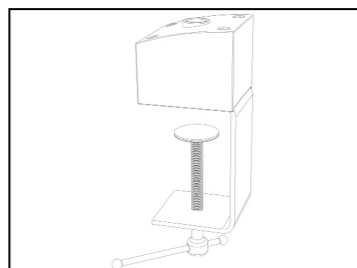
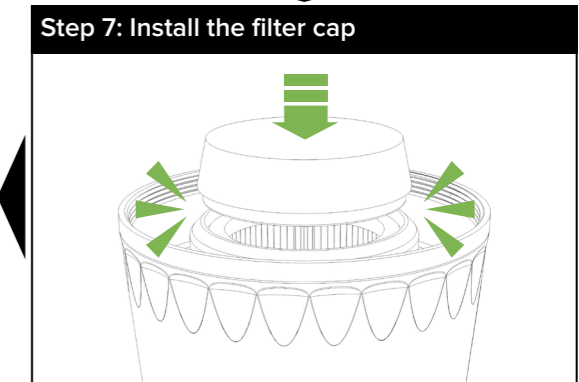
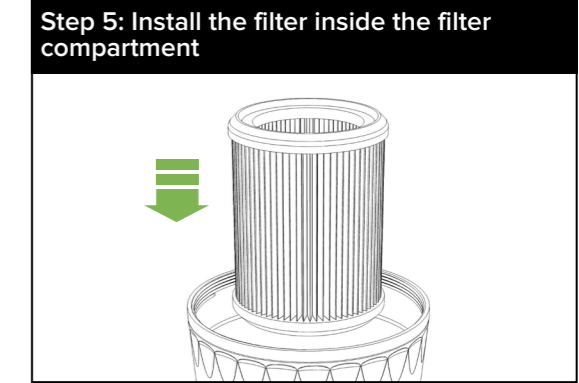
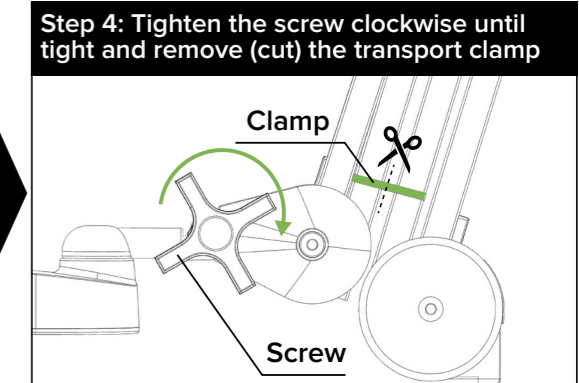
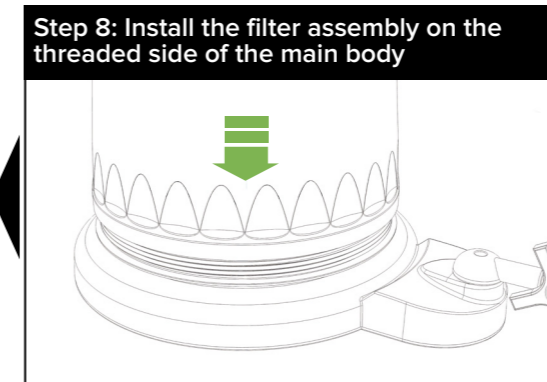
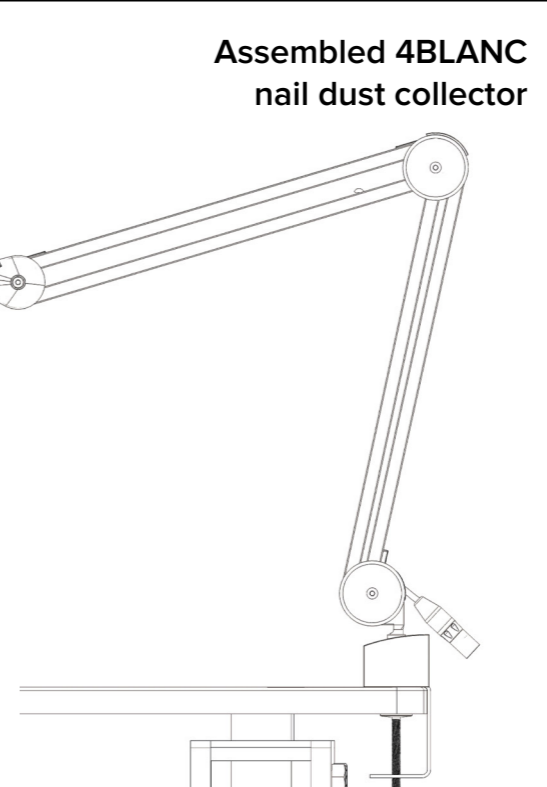
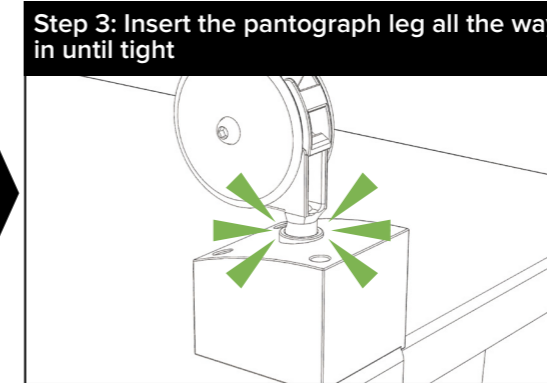
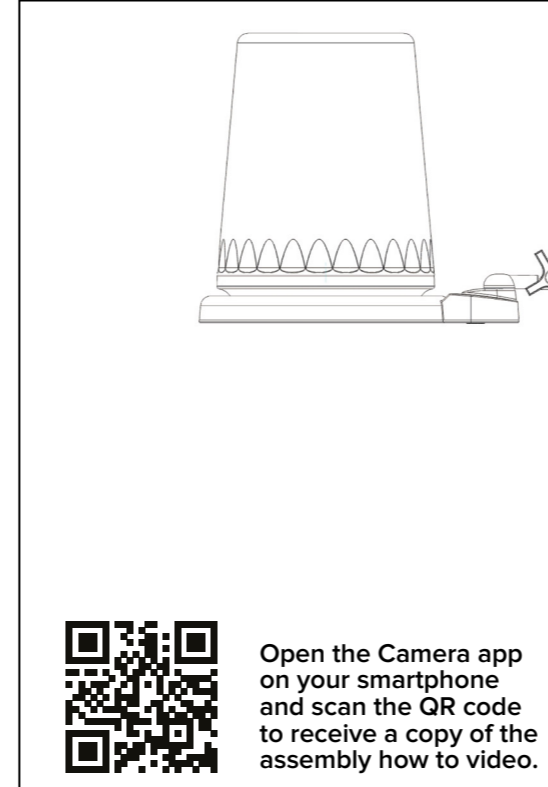
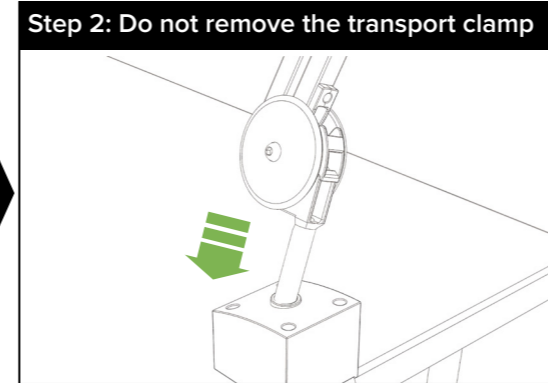
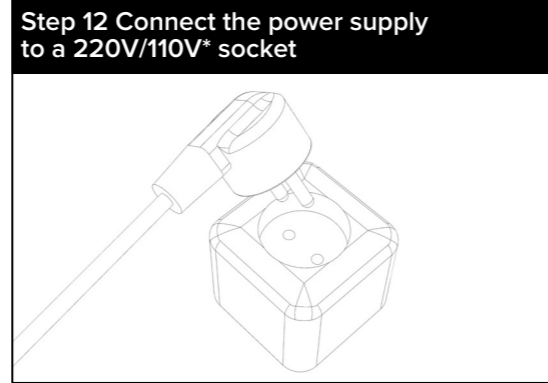
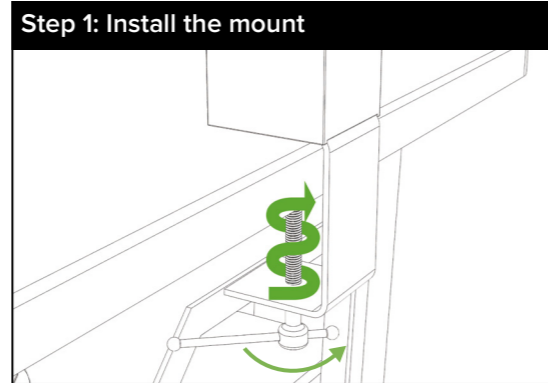
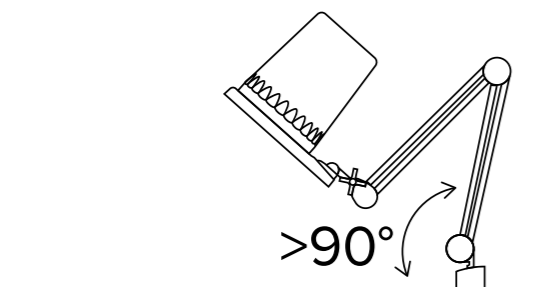
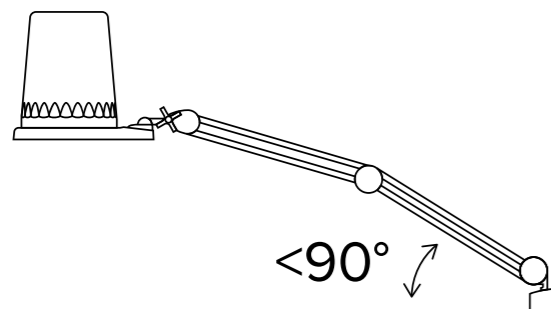


Table mount (clamp)

WARNING

Install the dust collector correctly to avoid pantograph rod deformation. Do not straighten the pantograph to its full length (an angle is less 90° relative to the surface where the dust collector is located). It is correct to install the dust collector in a way that the part of the pantograph with the drain is located at an angle of 90° to the surface.



INSTALLING THE DEVICE ON THE TABLE MOUNT

Use fasteners based in accordance with the installation type (floor stand or table mount (clamp)), and make sure that the table mount is installed and secured carefully.

Step 1: Attach the mount (clamp) to the table and turn the clamping screw with the round surface clockwise until it is firmly secured.
Steps 2 and 3: WITHOUT REMOVING THE TRANSPORT CLAMP, insert the pantograph (holder) leg into the recess in

the table mount (clamp). Make sure the clamp is firmly secured to the table.
Step 4: Install the main body with the motor in the horizontal position and tighten the screw clockwise until it is tight. Remove (cut) the transport clamp.
Steps 5 and 6: Place the filter assembly on the support (table), and spread out the folds of the filter slightly. Install it inside the filter compartment so that it fits tightly in the compartment. It does not matter which direction the filter is installed in the compartment. The filter should be pushed all the way in. Avoid leaving the filter partially inserted and thus forming a gap.

Step 7: Install the filter cap so that it is secured tightly against the filter compartment.
Steps 8 and 9: Carefully screw the filter assembly onto the main body (side with the motor) while making sure that the filter does not fall out. Twist the assembly clockwise until it is tight. (Please note: if the body cannot be screwed on completely tightly, the cap has been installed incorrectly on the filter housing. Go back to Step 5).
Step 10: Connect the power supply to the nail dust collector.
Step 11: Make sure the connector is

connected tightly (until the lock clicks).
Step 12: Connect the power supply to a 220V/110V* socket (we recommend using a surge protector and a grounded socket).
INSTALLING THE DEVICE ON THE FLOOR STAND
Step 1: Assemble the floor stand according to the diagram that comes with the floor stand.
Step 2: Insert the pantograph (holder) leg all the way in into the slot at the top of the floor stand.

4BLANC SERVICE

Your 4BLANC device is warranted from the time of purchase in accordance with the conditions and exceptions specified in this instruction manual.

If you have any questions, please call the 4BLANC Customer Support Department at +1-585-209-53-73 (USA), +44-20-81-23-52-99 (GB), 8 800 302 72 50 (Russia), 0 800 357 181 (Ukraine), 8 800 005 00 31 (Kazakhstan). Please tell the customer support agent the date and place of your device purchase.

IMPORTANT SAFETY INSTRUCTIONS

READ ALL INSTRUCTIONS AND WARNINGS IN THIS MANUAL BEFORE USING THE APPLIANCE.

Basic precautions should always be followed when using an electrical appliance, including the following:

WARNING

These warnings apply to the appliance as well as to any removable accessories and the power adapter in cases where they are applicable.

TO AVOID THE RISK OF FIRE, ELECTRIC SHOCK OR INJURY:

Adolescents who are at least 14 or infirm persons with reduced physical, sensory, or reasoning abilities or that lack sufficient experience and knowledge may only use the 4BLANC appliance under the supervision of a person who can take responsibility for their safety or after they have received training in the safe use of the appliance provided that they understand the existing risks. Children may not clean or maintain the appliance. Do not allow it to be used as a toy. Pay close attention when using the appliance near children. Children must be supervised to ensure that they do not play with the appliance. Do not carry out any maintenance other than that shown in this manual or as advised by the 4BLANC customer support specialists.

May only be operated in dry locations. Do not use outdoors or on wet surfaces. Do not handle any part of the plug or appliance with wet hands. Do not use with a damaged cord or plug. If the power supply cord is damaged, it may only be replaced by a 4BLANC specialist, maintenance technician, or similarly qualified person (electrician) in order to avoid a hazard. If the appliance is not working as it should, has been damaged, is damp or is dropped into water, or if there is a smell of burning and smoke, do not use it. Contact the 4BLANC Helpline for repair or replacement.

Contact the 4BLANC Helpline using the above phone numbers if service or repair is needed. Do not disassemble the appliance yourself, as incorrect reassembly may result in an electric shock or fire. Do not stretch the cord or place the cord under strain. Keep the cord away from heated surfaces. Do not close a door on the cord or pull the cord around sharp edges or corners. Keep the cord away from traffic areas and where it will not be stepped on or tripped over. Do not pinch the cord. Do not unplug by pulling on the cord. Do not unplug 4BLANC appliance, grasp the plug, not the cord. The use of an extension cord is not recommended.

Do not use to pick up water. Do not use to pick up flammable or combustible liquids, such as gasoline, or use in areas where such liquids or their vapors may be present.

Do not use to pick up burning or smoldering garbage, such as cigarettes, matches, or hot ashes. Use only 4BLANC recommended accessories and replacement parts. Unplug the nail dust collector when not in use. Do not leave the appliance unattended when plugged in.

DO NOT USE THE APPLIANCE WITHOUT AN ATTACHED FILTER ASSEMBLY (CASE) AND FILTER.

Do not insert hair, loose clothing, fingers, and all other body parts are not caught in openings in and keep them away from moving parts, such as the motor, fan blades, etc. Do not point inlet and outlet openings at your eyes or ears.

Do not put any object into the openings. Do not use the appliance if any opening is blocked; keep free of dust, garbage, hair, or anything else that may reduce airflow.

Do not allow the main body with the motor and the filter assembly (case) to exceed temperatures of 60°C. Unplug the power cord during long breaks in use as well as before maintenance service.

This appliance cannot be installed and used outdoors, in the bathroom, or within 3 meters of a swimming pool. Do not use it on wet surfaces, and do not expose it to dampness, rain, or snow. Do not burn the appliance, even if it is seriously damaged. Always turn off the appliance before plugging it in or unplugging it.

READ AND SAVE THESE INSTRUCTIONS

THIS APPLIANCE IS INTENDED FOR PROFESSIONAL USE ONLY

4BLANC APPLIANCE OPERATING INSTRUCTIONS READ THE SAFETY INSTRUCTIONS IN THIS 4BLANC OPERATING MANUAL BEFORE PROCEEDING. VERIFY APPLIANCE OPERATION BEFORE FIRST USE.

Assemble the appliance according to the recommendations in this manual. Turn on the device by turning the switch to the «MAX» position on the power regulator. Hold up a piece of paper to the air intake grate. The nail dust collector is operating properly if the sheet is sucked towards the grate. **WARNING:** Do not block the openings completely, this may lead to motor failure or incorrect operation.

OPERATION

- The appliance is intended for professional use only in a specially equipped room for cosmetology purposes.
 - To turn on the nail dust collector and adjust the suction power mode, turn the switch on the power regulator to the appropriate position. The indicator light on the block will light up. The switch has 4 modes:
 - 1 – Turned off;
 - 2 – 30% power;
 - 3 – 60% power;
 - 4 – 100% power.
 - To turn on and adjust the lighting brightness mode, press the button located on the appliance body. The button has 5 modes (which can be activated by pressing the indicated number of times):
 - 1 – 100% brightness;
 - 2 – 75% brightness;
 - 3 – 50% brightness;
 - 4 – 25% brightness;
 - 5 – Turned off;
- You can turn off the lighting in any mode by double clicking on the light control button.
- The filter and the inside of the filter assembly accumulate (collect) dirt from the filtered air during appliance operation. Be careful not to touch the filter with your hands when cleaning and replacing it, since this may cause minor skin irritation. To avoid allergic reactions, use a mask and gloves during cleaning and appliance maintenance. It is recommended to wash your hands after coming in contact with the filter and the dusty body interior of the assembly.

4BLANC APPLIANCE CARE

- Store the appliance in a heated room. Do not use or store the appliance at temperatures below 3°C (37.4°F). Warm the appliance to room temperature before use.
- Only wipe the outside and inside of the appliance with a dry cloth (with the exception of the filter assembly (case)). Do not use lubricants, cleaners, polishing agents, or air fresheners on the appliance .

CLEANING AND MAINTENANCE

- Do not perform appliance maintenance or repairs if they are not specified in the Operating Manual or not recommended 4BLANC specialists.
- Use only 4BLANC recommended replacement parts. Failure to comply with this condition may void the warranty.
- Do not use the appliance if the filter assembly (case) and filter are not installed.
- It is recommended that you empty the dust that accumulated inside the nail dust collector at least 3–4 times a month (20–25 procedures) depending on how much the appliance is used.
- We recommend replacing the filter with a new one if there is a noticeable reduction in the suction power. The filter was an

approximate service life of 1 to 3 months (provided that the filter is emptied and cleaned at timely intervals) depending on how much the appliance is used. The filter’s service life depends on use and how the manicurist uses the machine.

Step 1. Before cleaning, make sure the appliance is unplugged. Protect your hands and respiratory organs using PPE.

Step 2. Loosen the screw and turn the filter assembly (case) upside down.

Step 3. Turn the filter assembly (case) counterclockwise until it is completely unscrewed.

Step 4. Carefully remove the filter from the filter assembly (case). If you are planning to reuse the filter, remove the accumulated nail dust from it (the filter cannot be washed; it may only be dry cleaned).

Step 5. Remove the cap from the main body (with the motor). For ease of emptying, you can remove the main body from the mount and place it on a flat surface edge, such as, for example, a table. To minimize contact with dust and allergens when emptying the main body, place it entirely in a plastic bag and remove the dust that collects in it.

Step 6. Empty the filter assembly (case). To minimize contact with dust and allergens when emptying the filter assembly, place it entirely in a plastic bag and remove the dust that accumulates in it. Remove the filter assembly carefully from the bag. Close the bag tightly and dispose of it in your household garbage.

Step 7. You may optionally rinse the filter assembly (case) in warm water at a temperature not exceeding 40°C.

Step 8. Wipe the filter assembly (case) dry.

Step 9. After the filter assembly (case) has completely dried , install the filter and assemble it in reverse order or according to the assembly diagram.

WARNING

- The appliance is intended for fine dust air purification only.
- The following possible phenomena do not constitute appliance malfunction: static electricity, accretion of dust, debris, hair, and wool on various parts of the appliance, hot exhaust air, rapid change in airflow strength, and suction of various objects into the inlet.

WARRANTY ACTIVATION

Within 30 days after the purchase of the hood, it is necessary to register the dust collector on the official website 4BLANC.ORG/REG. The serial number is located on the side of the motor and consists of a barcode and six characters. To receive warranty assistance, you need to provide a receipt or other document that contains the date of purchase, if activation was not carried out.

WARRANTY

- If your appliance is under warranty, it will be repaired at no cost.
- The warranty coverage beings at the time of purchase of a 4BLANC appliance. If it is impossible to determine the date of purchase, then the warranty period starts on the date of shipment of the appliance to the buyer.
- 4BLANC warrants nail dust collector operation for 24 months from the date of delivery of the appliance to the buyer. The following individual nail dust collector components are covered by the warranty: power regulator (12 months) and built-in LED lighting (12 months). The warranty does not cover replaceable filters and packaging.

WARRANTY COVERAGE

- 4BLANC product repair in case of a factory defect or malfunction during the warranty period. The decision to replace the product is made by 4BLANC. If individual parts are no longer available at the time of repair/replacement, 4BLANC will replace the defective parts with functional ones.
- Repair should only be performed by authorized repair centers. You can submit a request for repair or get information about service centers by visiting the website 4BLANC.ORG.
- When presenting the product for repair, please do not forget to present a purchase receipt.
- If this device was sold outside the EU, this warranty will be valid only if the appliance is used in the country in which it was sold.
- If this appliance was sold within the EU, this warranty will be valid in the following cases:
 - (I) the appliance is used in the country in which it was sold;

(ii) the same model of appliance that was sold is used in Austria, Belgium, France, Germany, Ireland, Italy, the Netherlands, Spain, or the UK with the same rated voltage for the respective country.

EXCLUSIONS FROM WARRANTY COVERAGE

- Repair or replacement of components subject to natural wear and tear during operation, including: power cords, filters, rollers and wheels, as well as all related components.
- Product damage caused by careless handling during storage or operation in violation of the instruction manual: cracks, scratches, chips, scratches, deformation, ruptures and sprains of components, and traces of chemical and thermal effects.
- Product malfunctions caused by unstable parameters in the power grid.
- Malfunctions in product operation that have arisen as a result of operation in inappropriate conditions: cleaning in rooms under repair or under construction; storage or operation in an environment with elevated humidity (over 90%), and/or at a temperature of less than 0°C or more than 60°C, usage outdoors.
- Malfunctions in the product operation caused by traces of insect activity in the internal components of the product;
- Seeking service for a product where it is discovered that the structure was altered by a person not authorized by 4BLANC.
- Malfunction of the product due to using the product with devices (e.g., extension cords, voltage stabilizers, etc.) that are not original accessories of 4BLANC.
- Cases of clearing of obstructions or cleaning of the product filter and other components by the product user.
- Use of this appliance for removing gravel, ash, plaster, etc.
- Other problems caused by circumstances that cannot be rectified by 4BLANC.

SERVICE LIFE

4BLANC vacuum cleaner service life is 5 (five) years from the date of delivery to the buyer (which is not warranted).

DISPOSAL INFORMATION

4BLANC products are made from recyclable materials. If possible, recycle the appliance at the end of service life. In order to avoid environmental pollution or harm to human health due to uncontrolled waste disposal, take care when recycling waste in order to ensure environmentally safe reuse of material resources.

DEAR CUSTOMER:

4BLANC company thanks you for choosing our high-quality and reliable product, and it guarantees top customer service support.

*In countries with 110V mains voltage dust collector is equipped with an appropriate power regulator

Dust collector:	
Motor input voltage:	24 V
Engine power consumption:	40 W
Engine speed of up to:	4300
Package size (LxWxH):	26x16x12 inches
Package weight:	12.1 lbs
Net weight:	9 lbs
Lighting:	
Luminous flux:	1200 lm
Glow temperature:	5600 K
Input voltage:	18.5 V
Current strength:	0.55 A
Lighting power consumption:	14 W

Designed by 4BLANC International Ltd